

MS-2013

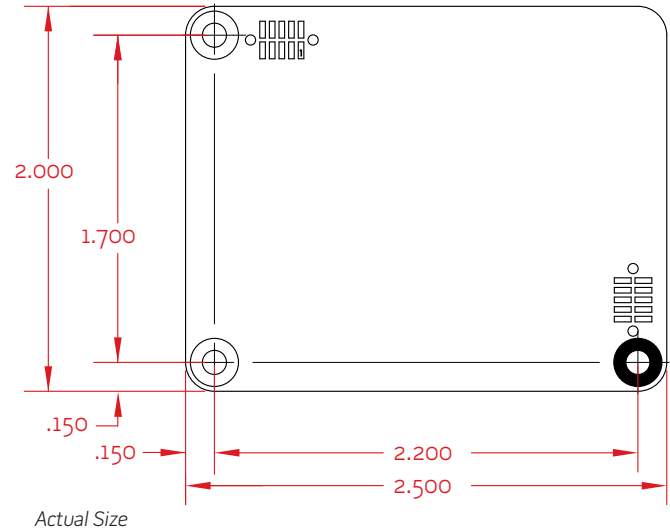
Masimo SET® OEM Board

BOARD DIMENSIONS


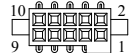
Board Dimensions	Typical
Width	2.0 inch
Length	2.5 inch
Thickness	0.062 inch
Top Height	0.2 inch
Bottom Height	0.1 inch
Mounting Hole Ø	0.125 inch

Note – Connector and mounting hole locations are the same as MS-13.

BOARD OUTLINE – TOP VIEW



CONNECTOR DATA

Connector Description	Power and Communications Connector	Sensor Connector
Number of Pins	10	10
Configuration	2 rows of 5	2 rows of 5
Angle	Vertical	Vertical
Pin Grid	0.050 inch	0.050 inch
Manufacturer Part #	Samtec SFM-105-02-S-D-A 	Samtec SFM-105-02-S-D-A 

DC POWER REQUIREMENTS

	Typical	Maximum
Input Voltage	+5V	±0.25V
Line/Load Regulation		1% p-p
Avg. Power	125 mW	275 mW

SERIAL INTERFACE

Baud Rate (fixed)	9600 or 19200 bps
-------------------	-------------------